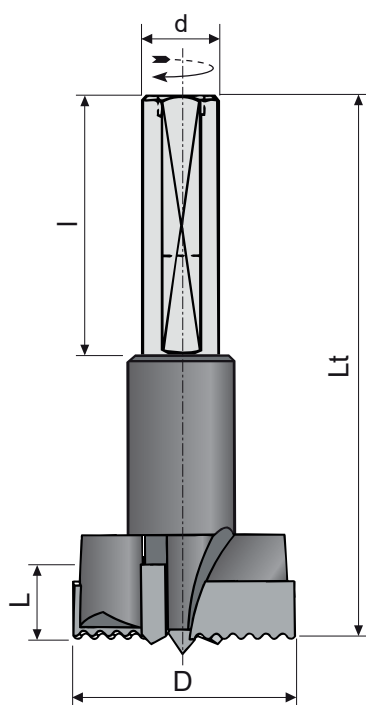




PUNTA PER FORI DI PRECISIONE CON ROMPITRUCIOLO

Cylinder boring bit with chipbreaker
Zylinderkopfbohrer mit Spannbrecher
Broca para taladros de precisión con rompevirutas

D mm	L mm	Lt mm	ATTACCO - SHANK		Z	R	CODICE DX CODE RH	CODICE SX CODE LH
			d mm	l mm				
15	13	70	10	40	2	2	FPH043R01	FPH043R29
16	13	70	10	40	2	2	FPH043R02	FPH043R30
18	13	70	10	40	2	2	FPH043R03	FPH043R31
20	13	70	10	40	2	2	FPH043R04	FPH043R32
22	13	70	10	40	2	2	FPH043R05	FPH043R33
24	13	70	10	40	2	2	FPH043R06	FPH043R34
25	13	70	10	40	2	2	FPH043R07	FPH043R35
26	13	70	10	40	2	2	FPH043R08	FPH043R36
28	13	70	10	40	2	2	FPH043R09	FPH043R37
30	13	70	10	40	2	2	FPH043R10	FPH043R38
32	13	70	10	40	2	2	FPH043R11	FPH043R39
35	13	70	10	40	2	2	FPH043R12	FPH043R40
38	13	70	10	40	2	2	FPH043R13	FPH043R41
40	13	70	10	40	2	2	FPH043R14	FPH043R42
15	13	77	10	40	2	2	FPH043R15	FPH043R43
16	13	77	10	40	2	2	FPH043R16	FPH043R44
18	13	77	10	40	2	2	FPH043R17	FPH043R45
20	13	77	10	40	2	2	FPH043R18	FPH043R46
22	13	77	10	40	2	2	FPH043R19	FPH043R47
24	13	77	10	40	2	2	FPH043R20	FPH043R48
25	13	77	10	40	2	2	FPH043R21	FPH043R49
26	13	77	10	40	2	2	FPH043R22	FPH043R50
28	13	77	10	40	2	2	FPH043R23	FPH043R51
30	13	77	10	40	2	2	FPH043R24	FPH043R52
32	13	77	10	40	2	2	FPH043R25	FPH043R53
35	13	77	10	40	2	2	FPH043R26	FPH043R54
38	13	77	10	40	2	2	FPH043R27	FPH043R55
40	13	77	10	40	2	2	FPH043R28	FPH043R56



■ A richiesta si eseguono anche altre misure
Other dimension available on request

Forante in HW
HW drilling bit
HW Einbohrschneide
Placa de HW para taladrar

